

KETTLER

toys

Assembly Instructions

„EURO Happy Plus Navigator“ Item # 08844-590
„Happy Plus Navigator“ Item # 08838-590



Printed on 100% recycled paper.!



FREIZEIT MARKE KETTLER

KETTLER® International Inc. · PO Box 2747 · Virginia Beach, VA 23450 USA
www.kettlerusa.com

Assembly Instructions

Read these instructions carefully before assembling the product or using it for the first time. They contain important information for your safety and for the correct use and maintenance of this KETTLER® product. Keep the instructions in a safe place for information or for ordering spare parts.

This KETTLER® product has been designed in accordance with the latest standards of safety and subjected to constant quality monitoring. The data gained from this quality process is then incorporated in the development of our products. For this reason, we reserve the right to make changes in design and technology in order to offer our customers products of the highest standard of quality at all times. In spite of this, should you have any ground for complaint, please contact your KETTLER® dealer.

For your safety

- This toy vehicle should be used for its intended purpose only, i.e. one (1) child only. It should not be used in any other way, as this may be dangerous. The manufacturer cannot be held liable for damage or injury caused by incorrect use.
- This product is a toy and is not suitable for use in traffic or on public roads.
- Always keep a watchful eye on your child in order to avoid risks by thoughtless and hasty movements.
- Please care for the fact that the tricycle is only used on safe ground.
- The tricycle is an unlighted play implement. Its use in the dark is dangerous.
- In case of a sudden and/or strong turn of the handlebar the tricycle could be caused to tip. Danger of injuries!
- The tricycle must not be connected with other vehicles, sports or similar devices and not be driven/pulled by them. Never subject your child on the tricycle to speeds exceeding walking pace!
- We recommend that a child using the tricycle should wear a child's bicycle helmet.
- Damaged components may endanger the safety of your child or shorten the lifespan of the product. Inspect it at regular intervals to ensure that none of the components are damaged and that none of the bolts or other joints have worked loose.
- Replace worn or damaged parts immediately and ensure that the product is not used again until this has been done. If any parts require replacement, use only original spares manufactured by KETTLER®.
- This child's wheeled toy conforms to the stipulated safety regulations European standard EN 71-1/3 („Safety regulations for childrens toys“). Incorrect repairs or alterations (removal of original parts or addition of other parts etc.) may be a source of danger to the user.

Use of the Toy

- **WARNING:** Adult supervision is required. Never use near steps, slopes, driveways, hills, roadways, alleys or swimming pool areas. Always wear shoes. Never allow more than one rider (without a tandem seat). The use of protective gear and a Safety Helmet is highly recommended.
- Ensure that the toy vehicle is not used until it has been properly assembled and checked by an adult person.
- In case of tricycles without a free-wheel consider the fact that the pedals will rotate even when the tricycle is pushed.
- Do not transport any objects on the tricycle.
- Always adjust the use of the tricycle to the conditions encountered.
- **Attention:** when children play independently with this wheeled toy, lock the steering mechanism of the rear axle (Rear steering system locking, fig. 1)
- Tricycles do not possess a continuously effective brake system. Therefore, safeguard the tricycle against rolling away when parking it. Never park the tricycle unattended with a child on it!
- Never draw the tricycle behind you as long as a child is seated on it.
- Instruct your child how to use the vehicle correctly and draw attention to possible sources of danger.
- Although dangerous situations are unlikely to occur if the toy is used correctly, children at play should, if possible, be supervised.
- Please keep original packaging of this article, so that it may be used for transport at a later date, if necessary.
- Please bear in mind that there is **always a danger** of children injuring themselves whilst using swings, climbing frames, toy vehicles or similar equipment.

- When using the toy vehicle, the user should always wear strong shoes.
- Instruct your child how to use the vehicle correctly and draw attention to possible sources of danger.
- When children are at play, situations may arise which cannot be predicted by the manufacturer and for which he cannot be held responsible.
- Before use, always check all screws and plug-in connections as well as respective safety devices fit correctly.
- Never use corrosive or abrasive substances to clean the toy. Never use substances which may cause pollution of the environment.
- Lubricate the bearing sleeves of the wheels and the handlebars with a few drops of oil every two or three months.

Assembly of the toy vehicle

- The toy vehicle must be assembled carefully by an adult person. Study the assembly instructions carefully before beginning work. Assemble the vehicle in the exact sequence shown by the letters in the diagrams. This is essential for the safe function and use of the scooter
- Please note that there is **always** a danger of injury when working with tools or doing manual work. Therefore please be careful when assembling this machine.
- Ensure that your working area is free of possible sources of danger, for example don't leave any tools lying around. Always dispose packaging material in such a way that it may not cause any danger. There is always a **risk of suffocation** if children play with plastic bags!
- Bolt all the parts together loosely at first, and check that they have been assembled correctly. Tighten the locknuts by hand until resistance is felt, **then use spanner to finally tighten nuts completely against resistance (locking device)**. Then check that all screw connections have been tightened firmly. **Attention:** once locknuts have been unscrewed they no longer function correctly (the **locking device is destroyed**), and must be replaced.
- The grips can be pushed onto the handlebars more easily if they are first soaked in warm water.
- Please keep original packaging of this article, so that it may be used for transport at a later date, if necessary.
- For technical reasons, we reserve the right to carry out preliminary assembly work (e.g. addition of tubing plugs).
- When ordering spare parts, always state the full article number, spare-partnumber, the quantity required and the inspection number stamped on the back or the serial number of the product.
Example order: Art. no. 08838-590 / spare-part no. 12802003 / 1 piece / inspection no. / s/n . . .
Important: spare part prices do not include fastening material; if fastening material (bolts, nuts, washers etc.) is required, this should be clearly stated on the order by adding the words „**with fastening material**“.

Warranty

3 Year Residential Warranty and a 1 Year Institutional Warranty.

The warranty begins with the date of purchase by the consumer. Please address all warranty questions to your retailer or KETTLER® headquarters at the following address:

KETTLER® International Inc., P.O. Box 2747, Virginia Beach, VA 23450

For parts or service ONLY call 1-866-804-0440 or send e-mail to:

PARTS@KETTLERUSA.COM

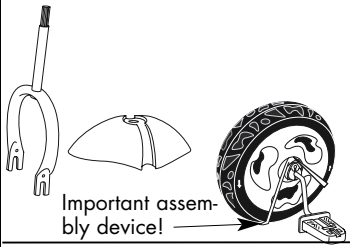
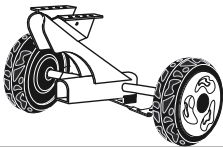
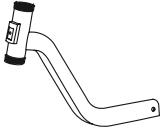
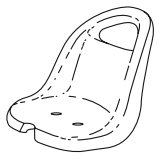
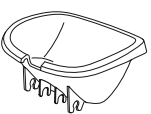
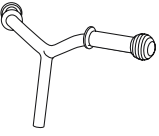



KETTLER® International Inc. · PO Box 2747 · Virginia Beach, VA 23450 USA



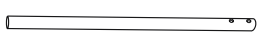








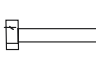








World Wide Web address: www.kettlerusa.com

Email address: info@kettlerusa.com

The manufacturer reserves the right to make changes reflecting product or other technical advances. The content of these instructions is accurate at the date of printing.

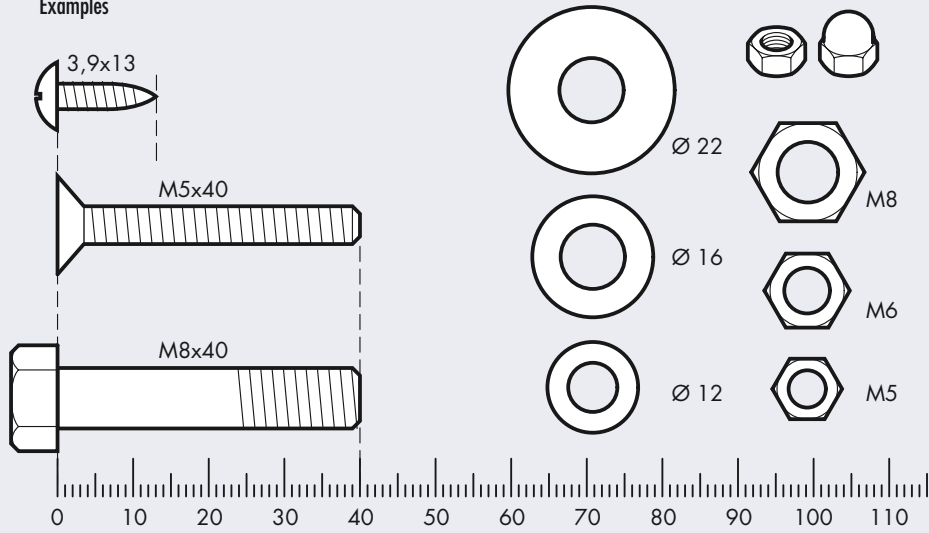
Checklist

 <p>Important assembly device!</p>	<p>1 1 1</p>	✓
	1	
	1	
	1	
	1	
	1	
	1	
	1	
 <p>M 5x10mm</p>	2	

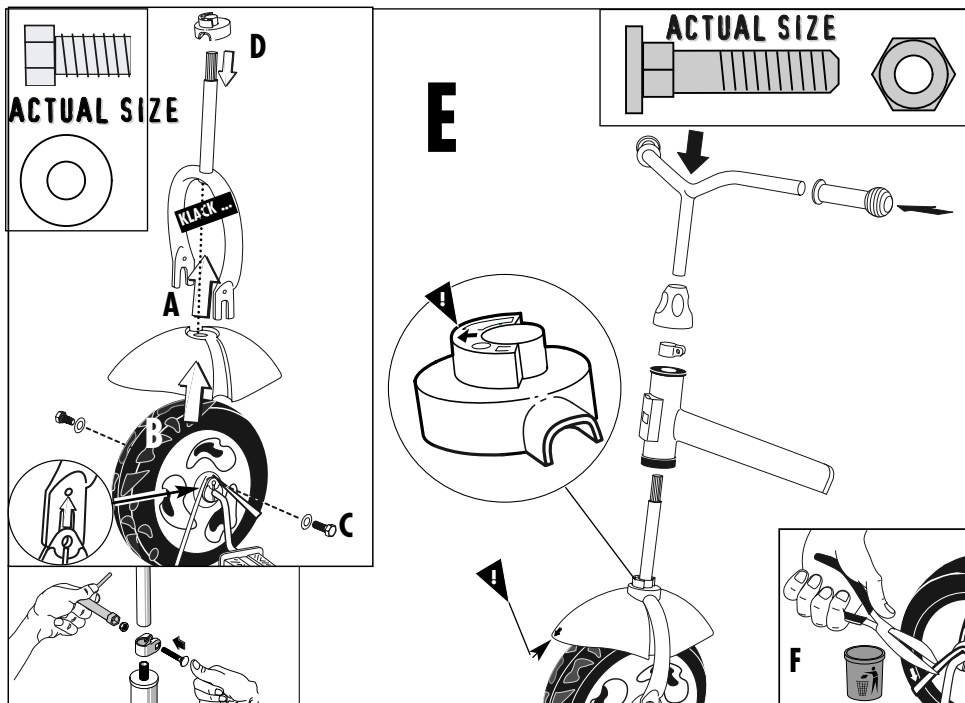
	1/1	
	1	
	1	
	1	
	1	
	1	
	1	
	1	
	1	
 <p>M12</p>	1	
 <p>Ø 6 mm</p>	4	
 <p>M6x65mm</p>	1	
 <p>M6x25mm</p>	1	
 <p>M5x30mm</p>	2	
 <p>4,8x16 mm</p>	1	
 <p>4,2x16 mm</p>	5	
 <p>3,9x13 mm</p>	2	
	1	
	1	
	1	

Messuring help for screw connections

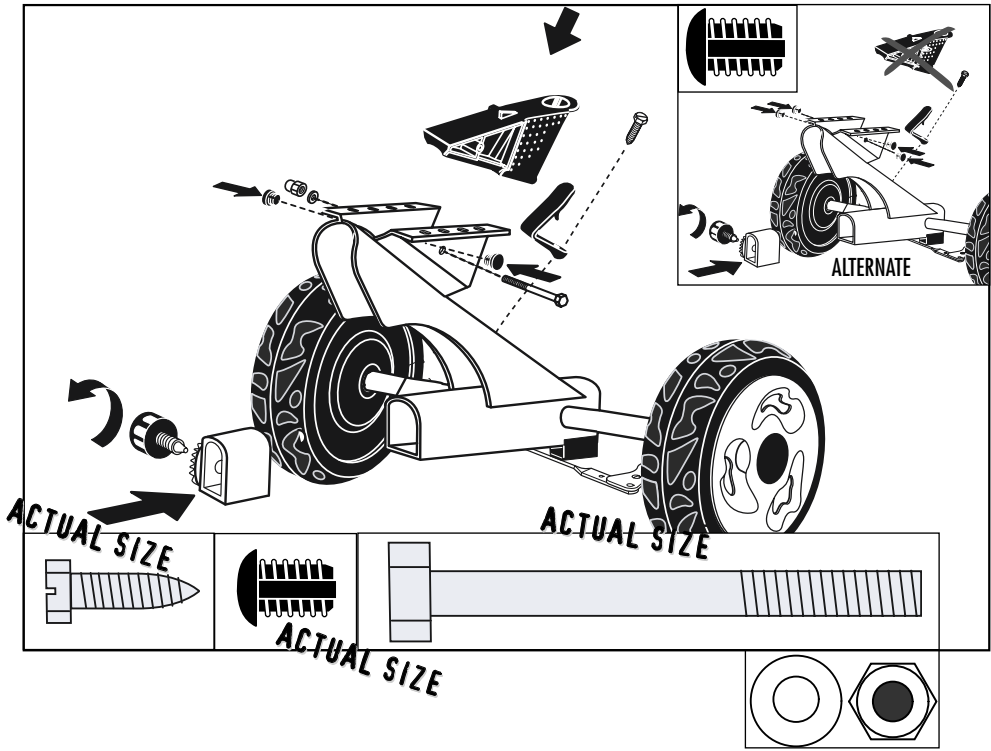
Examples



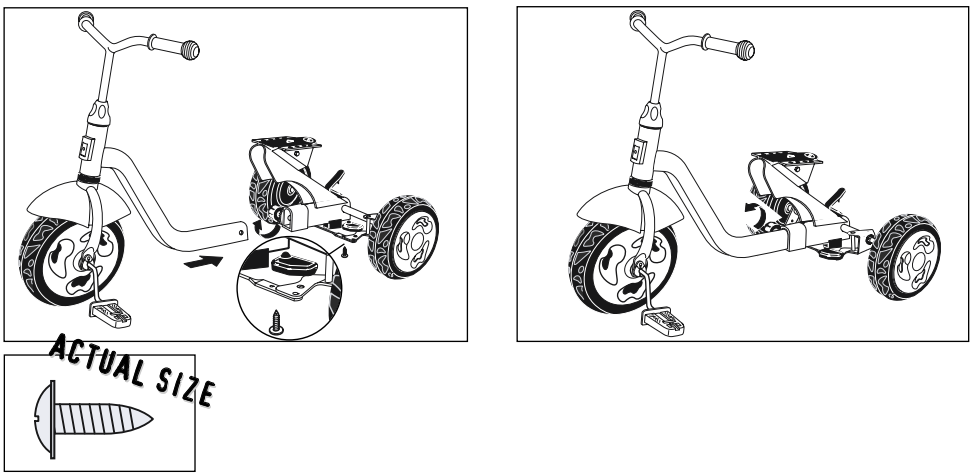
1



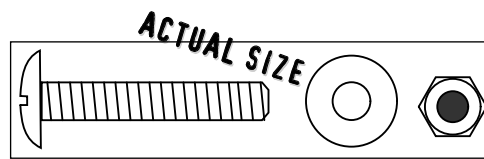
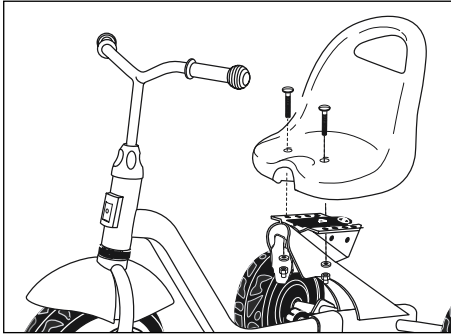
2



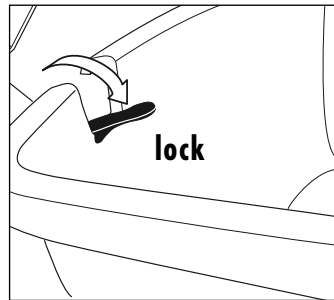
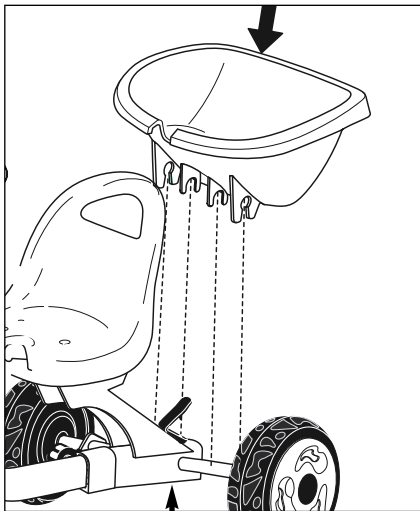
3



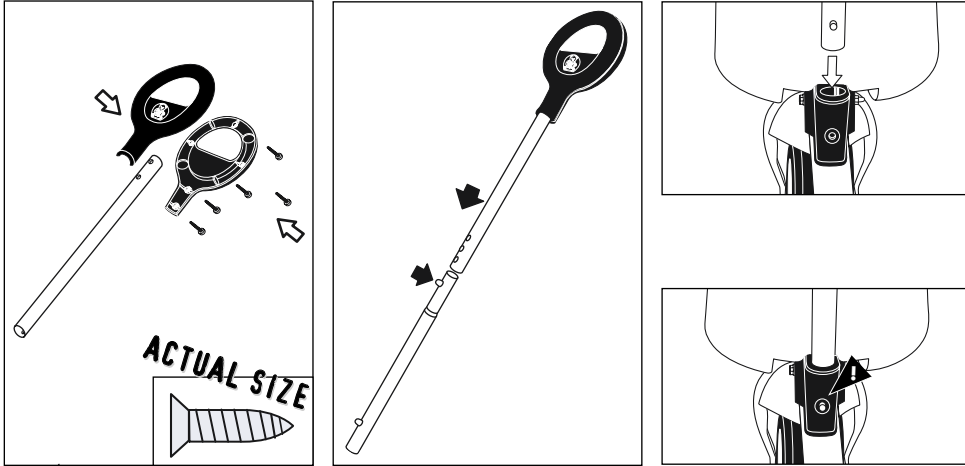
4



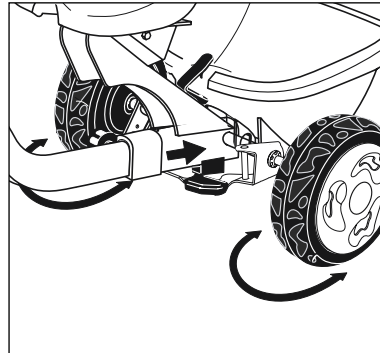
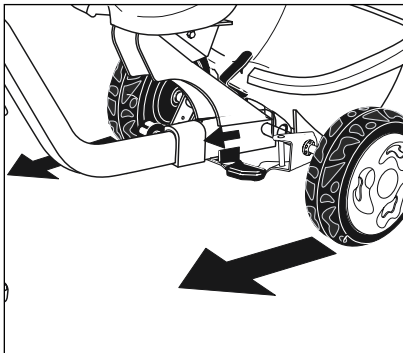
5



6

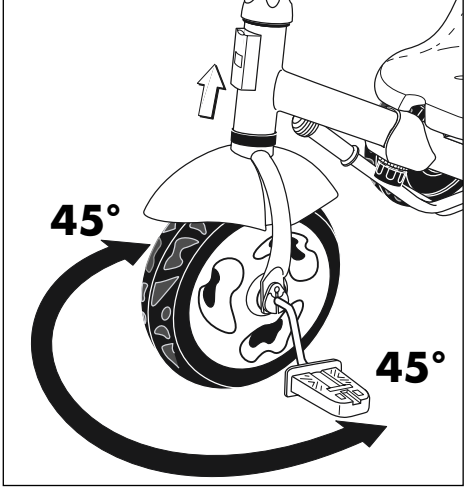
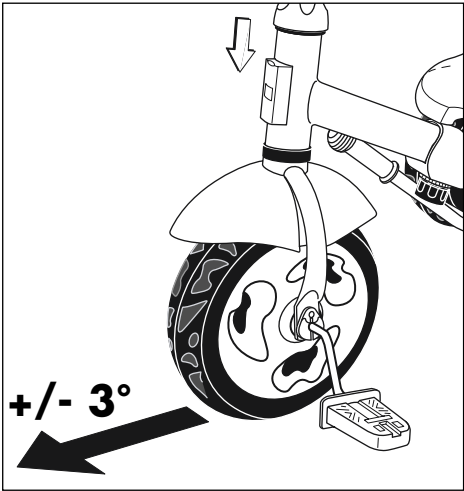


Rear steering system locking/unlocking

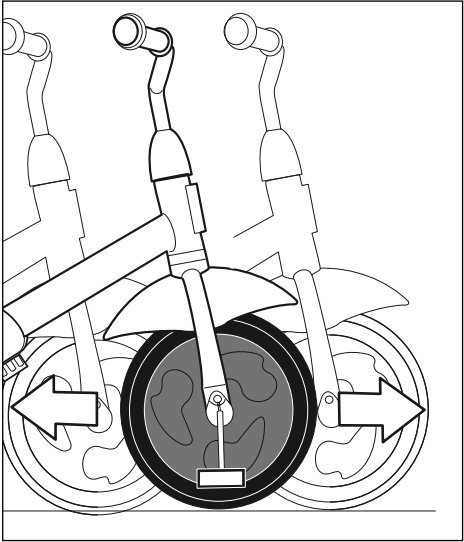


8

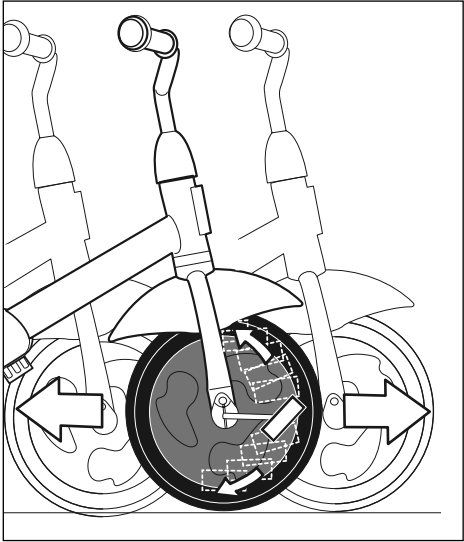
Handlebar locking/unlocking



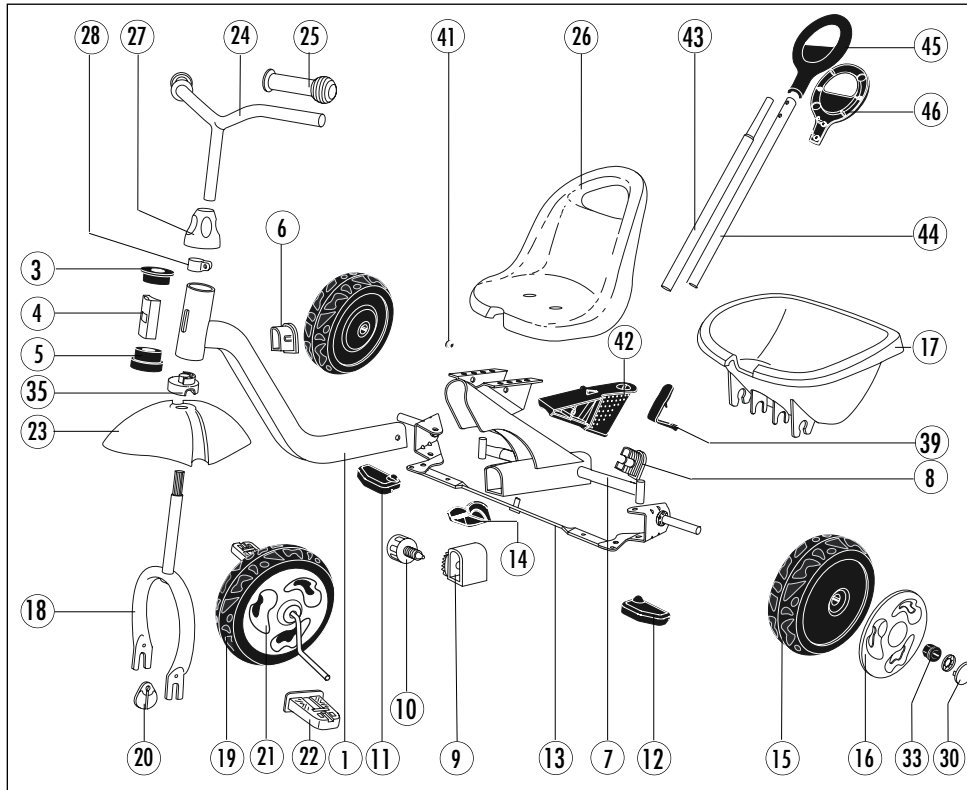
Automatic free wheel



Automatic fixed wheel



Spare parts drawing



When ordering spare parts, always state the full article number, spare part number, the quantity required and the inspection number stamped on the back or the serial number of the product.

Example order: Art. no. 08838-590/spare part no. 10100169 /1 piece/inspection no./ s/n...
Important: spare part prices do not include fastening material; if fastening material (bolts, nuts, washers etc.) is required, this should be clearly stated on the order by adding the words „with fastening material“.

For parts or service ONLY call 1-866-804-0440 or send e-mail to:

PARTS@KETTLERUSA.COM

3 Year Residential Warranty and a 1 Year Institutional Warranty.

KETTLER® International Inc. · PO Box 2747 · Virginia Beach, VA 23450 USA

www.kettler.net

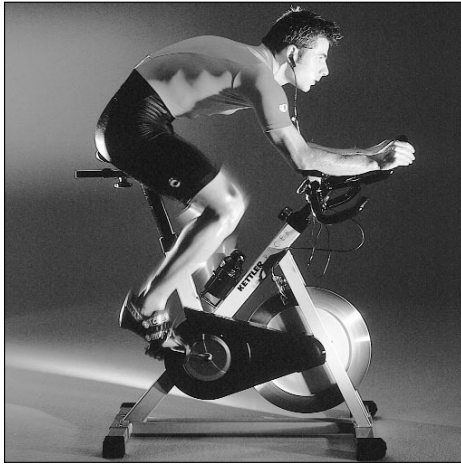
Email: info@kettlerusa.com

Spare parts list „EURO Happy Navigator“ 08844-590
„Happy Plus Navigator“ 08838-590

pos.	description	qty.	08844-590	08838-590
			part no.	part no.
1	front frame complete	1	91611005	91610937
2	locking pin for parental control (cpl., w/o fig. 2968)	1	91640021	91640021
3	headtube bushing (2046)	1	70122051	70122051
4	parental control locking mechanism (2970)	1	70121770	70121770
5	bottom headtube bushing for ø42mm (2969)	1	70121560	70121560
6	front frame plug 35x41 mm (2995)	1	70128425	70128425
7	rear frame	1	91611021	91611017
8	rear frame plug 40x46 mm (3535)	1	70121432	70121432
9	adjustment sleeve (3064)	1	70121435	70121435
10	quick release knob M12	1	91670058	91670058
11	tie rod covering, right (1401)	1	70121620	70121620
12	tie rod covering, left (1401)	1	70121621	70121621
13	tie rod with steering knuckles and bolts	1	91650291	91650291
14	lock for rear steering system (3838)	1	70121772	70121772
15	rear wheel	2	15170087	15170087
16	wheel screen (3487)	2	70121845	70121845
17	sand bucket (3532)	1	70122088	70122088
18	fork	1	91620312	91620316
19	front wheel	1	15170081	15170081
20	front wheel bearing Ø 8 mm (3217)	2	10116032	10116032
21	front wheel screen (3491)	2	70121856	70121856
22	pedal for Ø 8 mm (1848)	2	70121541	70121541
23	fender (4031)	1	70121466	70121467
24	handlebar with grips	1	91650256	91650258
25	handlebar grips Ø 22 mm	2	10111023	10111023
26	seat (3534)	1	70120242	70120241
27	covering for c clamp (3497)	1	70121811	70121811
28	c clamp	1	97201280	97201280
30	plug for hubcap (2042)	2	70121823	70121820
33	rear wheel bearing	4	70121470	70121470
34	hardware bag (w/o) fig.	1	91680346	91680345
35	handlebar limiter (3536)	1	70121397	70121396
38	bolt for steering knuckle, tie rod, 8x60 mm (w/o fig.)	2	10407010	10407010
39	release latch for sandbucket (3533)	1	70122089	70122089
41	plug 8x6,5x12 mm	4	10100169	10100169
42	adaptor for push bar (3493)	1	70125638	70125638
43	pushbar, lower part	1	97100400	97100400
44	pushbar, upper part	1	97100399	97100399
45	pushbar grip, upper part (3378)	1	70121573	70121573
46	pushbar grip, lower part (3379)	1	70121574	70121574



FREIZEIT MARKE KETTLER



© 2004 KETTLER®. All rights reserved. No part of this catalog may be reproduced, stored in a retrieval system, or transmitted in any form, or by any means, such as electronic, mechanical, photocopying or otherwise, without the prior written permission of KETTLER®.

In case of complaint, please state this control number.