

KETTLER

toys

Assembly Instructions

„AIR NAVIGATOR“

Item # 08839-590



USA

F

E

Printed on 100% recycled paper.!



FREIZEIT MARKE KETTLER

KETTLER® International Inc. · PO Box 2747 · Virginia Beach, VA 23450 USA

www.kettlerusa.com

info@kettlerusa.com

Read these instructions carefully before assembling the product or using it for the first time. They contain important information for your safety and for the correct use and maintenance of this KETTLER product. Keep the instructions in a safe place for information or for ordering spare parts.

This KETTLER product has been designed in accordance with the latest standards of safety and subjected to constant quality monitoring. The data gained from this quality process is then incorporated in the development of our products. For this reason, we reserve the right to make changes in design and technology in order to offer our customers products of the highest standard of quality at all times. In spite of this, should you have any ground for complaint, please contact your KETTLER dealer.

For your safety

- This toy vehicle should be used for its intended purpose only, i.e. one (1) child only. It should not be used in any other way, as this may be dangerous. The manufacturer cannot be held liable for damage or injury caused by incorrect use.
- This product is a toy and is not suitable for use in traffic or on public roads.
- Always keep a watchful eye on your child in order to avoid risks by thoughtless and hasty movements.
- Please care for the fact that the tricycle is only used on safe ground.
- The tricycle is an unlighted play implement. Its use in the dark is dangerous.
- In case of a sudden and/or strong turn of the handlebar the tricycle could be caused to tip. Danger of injuries!
- The tricycle must not be connected with other vehicles, sports or similar devices and not be driven/pulled by them. Never subject your child on the tricycle to speeds exceeding walking pace!
- We recommend that a child using the tricycle should wear a child's bicycle helmet.
- Damaged components may endanger the safety of your child or shorten the lifespan of the product. Inspect it at regular intervals to ensure that none of the components are damaged and that none of the bolts or other joints have worked loose.
- Replace worn or damaged parts immediately and ensure that the product is not used again until this has been done. If any parts require replacement, use only original spares manufactured by KETTLER.
- This child's wheeled toy conforms to the stipulated safety regulations European standard EN 71-1/3 („Safety regulations for childrens toys“). Incorrect repairs or alterations (removal of original parts or addition of other parts etc.) may be a source of danger to the user.

Use of the Toy

- **WARNING:** Adult supervision is required. Never use near steps, slopes, driveways, hills, roadways, alleys or swimming pool areas. Always wear shoes. Never allow more than one rider (without a tandem seat). The use of protective gear and a Safety Helmet is highly recommended.
- Ensure that the toy vehicle is not used until it has been properly assembled and checked by an adult person.
- In case of tricycles without a free-wheel consider the fact that the pedals will rotate even when the tricycle is pushed.
- Do not transport any objects on the tricycle.
- Always adjust the use of the tricycle to the conditions encountered.
- Tricycles do not possess a continuously effective brake system. Therefore, safeguard the tricycle against rolling away
- Never draw the tricycle behind you as long as a child is seated on it.
- Instruct your child how to use the vehicle correctly and draw attention to possible sources of danger.
- Although dangerous situations are unlikely to occur if the toy is used correctly, children at play should, if possible, be supervised.
- Please bear in mind that there is **always a danger** of children injuring themselves while using swings, climbing frames, toy vehicles or similar equipment.
- When using the toy vehicle, the user should always wear strong shoes.
- Instruct your child how to use the vehicle correctly and draw attention to possible sources of danger.
- When children are at play, situations may arise which cannot be predicted by the manufacturer and for which he cannot be held responsible.
- Before use, always check all screws and plug-in connections as well as respective safety devices fit correctly.
- Never use corrosive or abrasive substances to clean the toy. Never use substances which may cause pollution of the environment.
- Lubricate the bearing sleeves of the wheels and the handlebars with a few drops of oil every two or three months.
- Due to the nature of materials used in pneumatic tyres on KETTLER toys, it is not recommended for the product to be left in any one place for too long where solvents or other chemicals, i. e. petrol, may lie. This may result in a chemical reac-

tion, which could cause the tyres to mark the surface such as a vinyl flooring. If in doubt put something underneath the wheels to cover the floor.

- For models with push bars: Always ensure that the push bar fits correctly in the adaptor, and locks. Do not hang any weights on the bar! The vehicle may tip over, and your child may be hurt. The push bar is intended for adult use only, do not pass responsibility for children on to other children. For free play time take the push bar off for safety reasons.

- **Attention:** when children play alone with this wheeled toy, lock the steering of the rear axle (see handling)!

Assembly of the toy vehicle

- The toy vehicle must be assembled carefully by an adult person. Study the assembly instructions carefully before beginning work. Assemble the vehicle in the exact sequence shown by the letters in the diagrams. This is essential for the safe function and use of the tricycle.

- Please note that there is **always** a danger of injury when working with tools or doing manual work. Therefore please be careful when assembling this machine.

- Ensure that your working area is free of possible sources of danger, for example don't leave any tools lying around. Always dispose packaging material in such a way that it may not cause any danger. There is always a **risk of suffocation** if children play with plastic bags!

- Bolt all the parts together loosely at first, and check that they have been assembled correctly. Tighten the locknuts by hand until resistance is felt, **then use spanner to finally tighten nuts completely against resistance (locking device)**. Then check that all screw connections have been tightened firmly. **Attention:** once locknuts have been unscrewed they no longer function correctly (the **locking device is destroyed**), and must be replaced.

- The grips can be pushed onto the handlebars more easily if they are first soaked in warm water.

- Please keep original packaging of this article, so that it may be used for transport at a later date, if necessary.

- For technical reasons, we reserve the right to carry out preliminary assembly work (e.g. addition of tubing plugs).

- When ordering spare parts, always state the full article number, spare-part number, the quantity required and the inspection number stamped on the back or the serial number of the product..

Example order: item # 08839-590 / spare part no. 12802003 / 1 piece / inspection no./ S/N ...

Important: spare part prices do not include fastening material; if fastening material (bolts, nuts, washers etc.) is required, this should be clearly stated on the order by adding the words „with fastening material“.

Warranty

3 Year Residential Warranty and a 1 Year Institutional Warranty.

The warranty begins with the date of purchase by the consumer. Please address all warranty questions to your retailer or KETTLER headquarters at the following address:

KETTLER® International Inc., P.O. Box 2747, Virginia Beach, VA 23450-2747, USA

For parts or service ONLY call 1-866-804-0440 or send e-mail to:

parts@kettlerusa.com

call (866) 804-0440 fax (757) 563-9273.

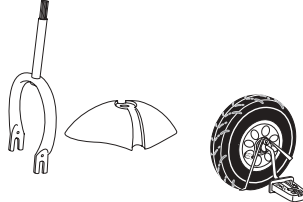
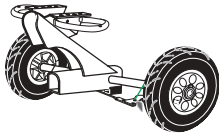
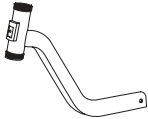


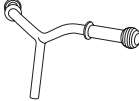



www.kettlerusa.com


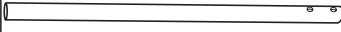






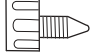







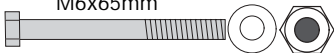

info@kettlerusa.com

The manufacturer reserves the right to make changes reflecting product or other technical advances. The content of these instructions is accurate at the date of printing.

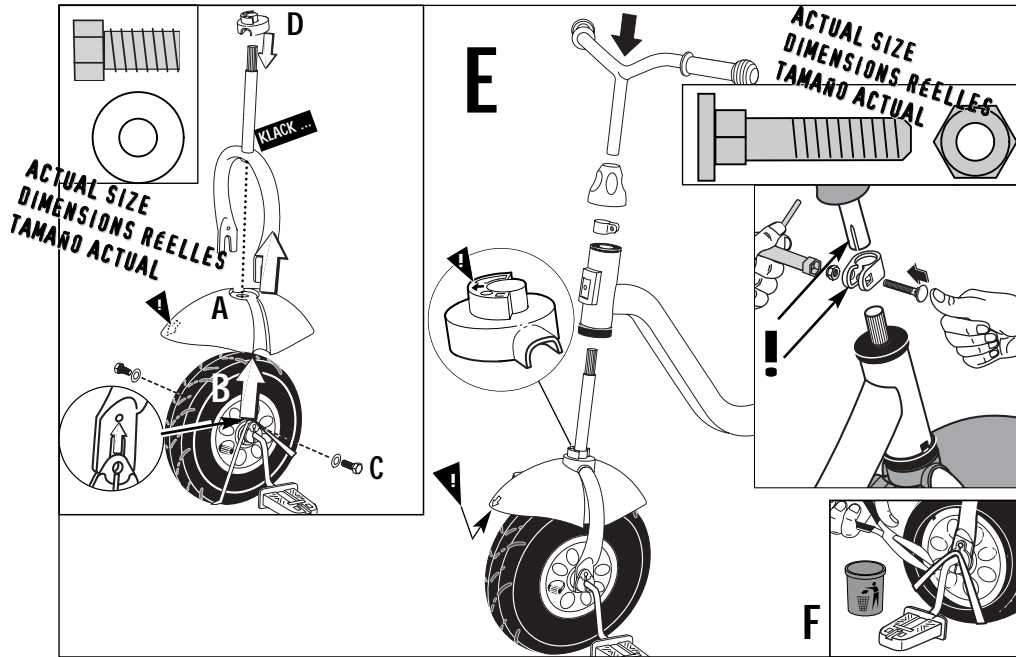


Checklist

	1 1 1	✓
	1	
	1	
	1	
	1	
	1	
	1	
	1	
	1/1	

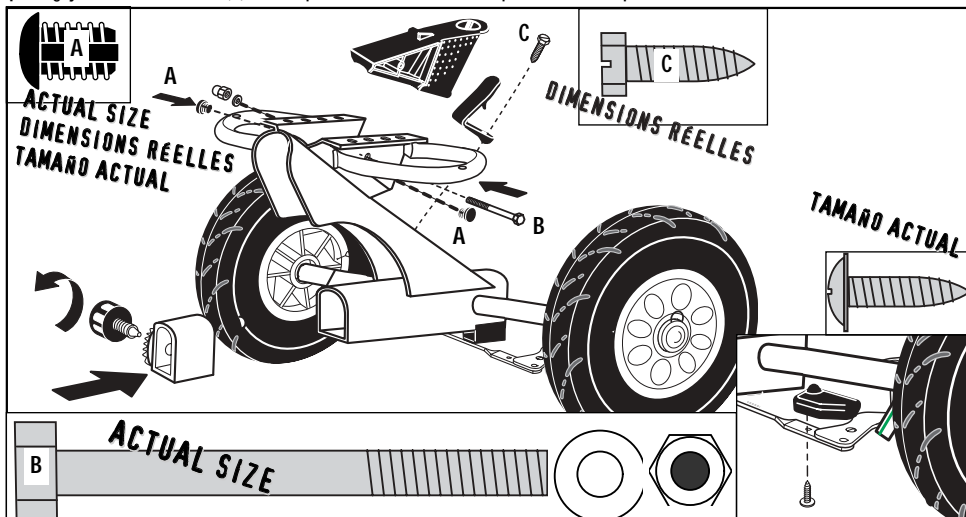
	1	
	1	
	1	
	1	
	1	
	1	
	1	
	1	
 M12	1	
 3,9 x16 mm	2	
 M6x25mm	1	
 M5x45mm	2	
	4	
 4,8 x16 mm	1	
 M 5x10 mm	2	
 4,2 x16 mm	5	
 M6x65mm	1	
	1/1	

1

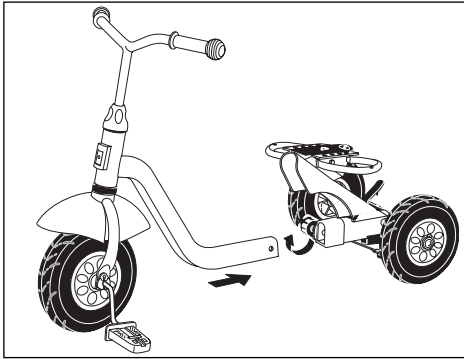


2

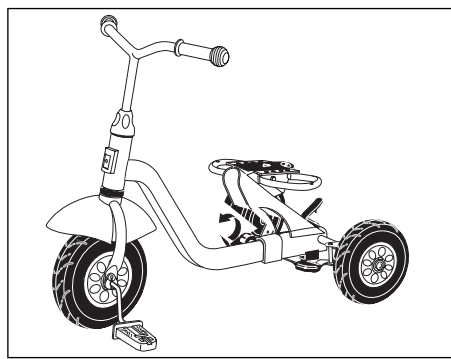
Without adaptor the screw holes (B) have to be closed also with plugs!
 Sans l'adaptateur, les trous de passage des boulons (B) doivent être obturés également avec des bouchons !
 ¡Los agujeros de los tornillos (B) sin adaptador también se tienen que cerrar con tapones!



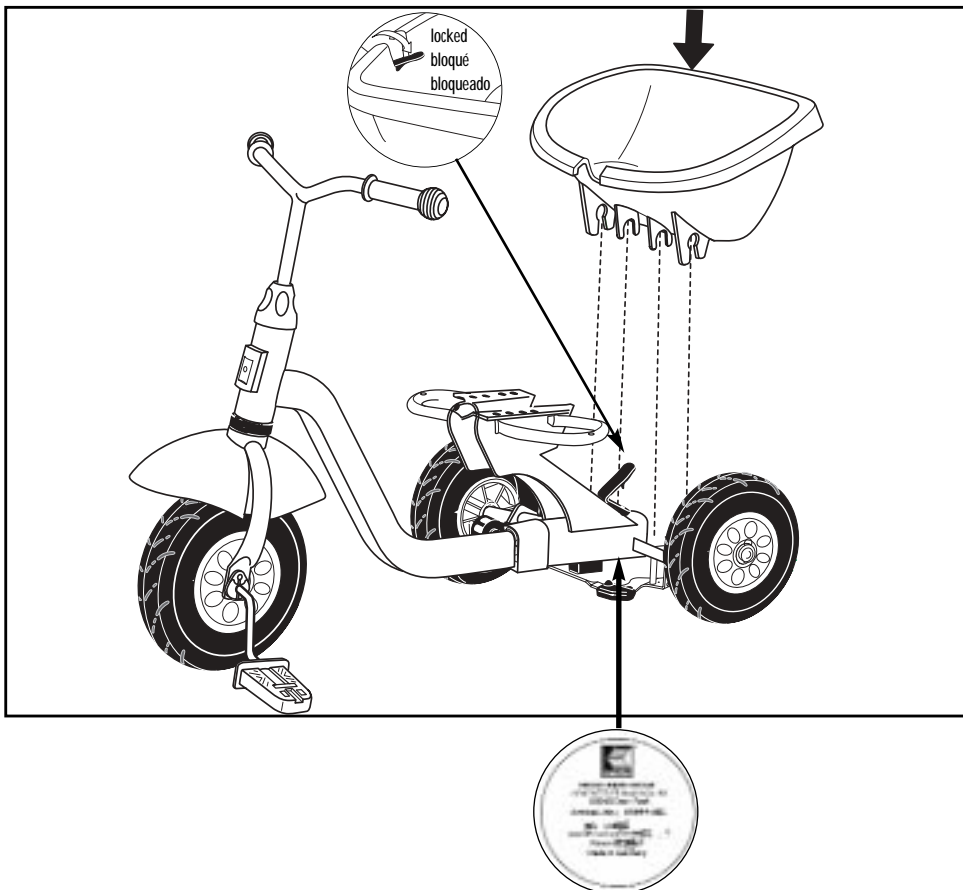
3



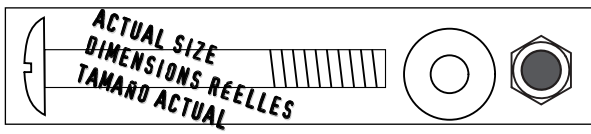
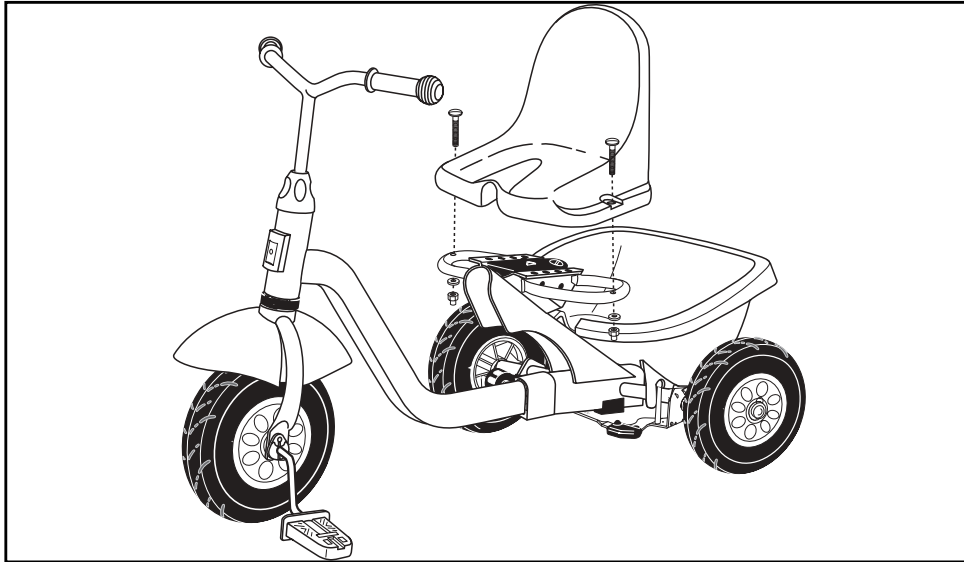
4



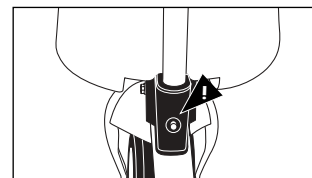
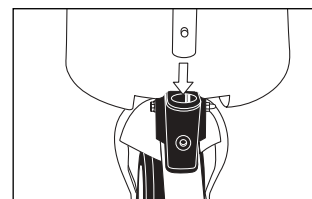
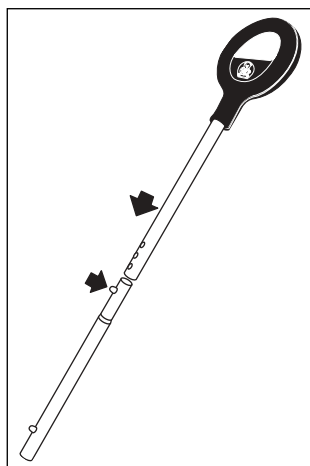
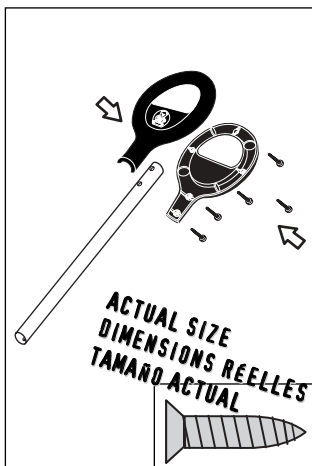
5



6



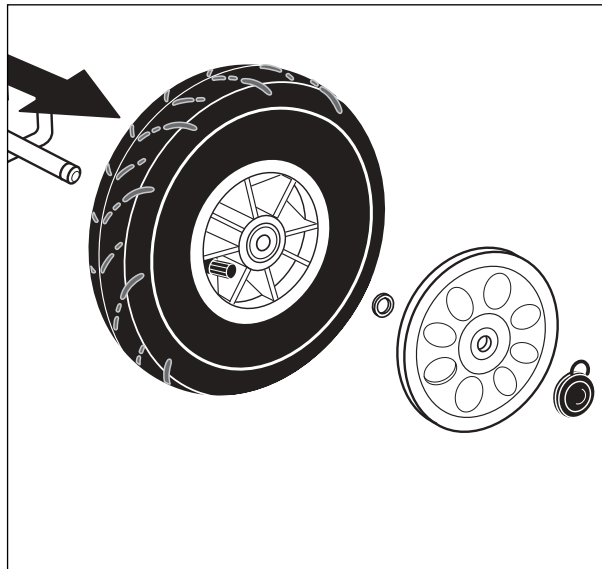
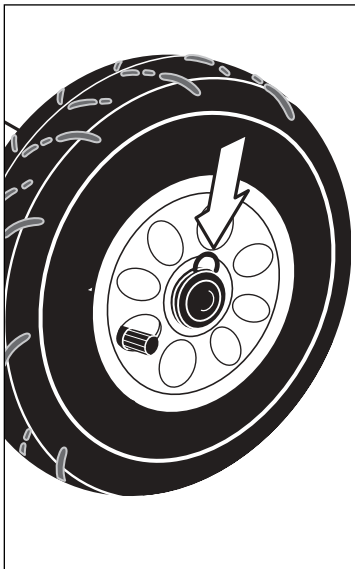
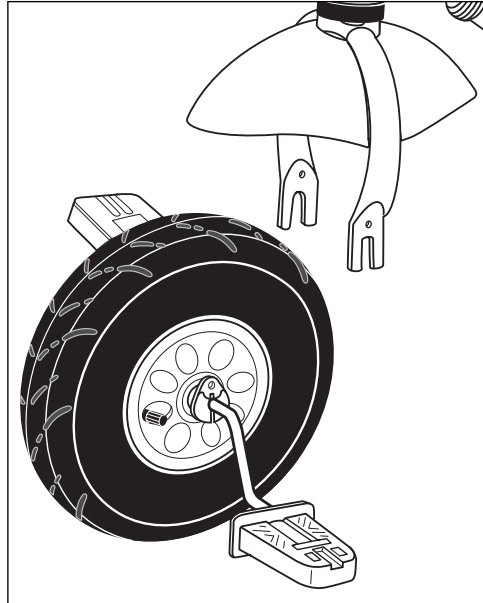
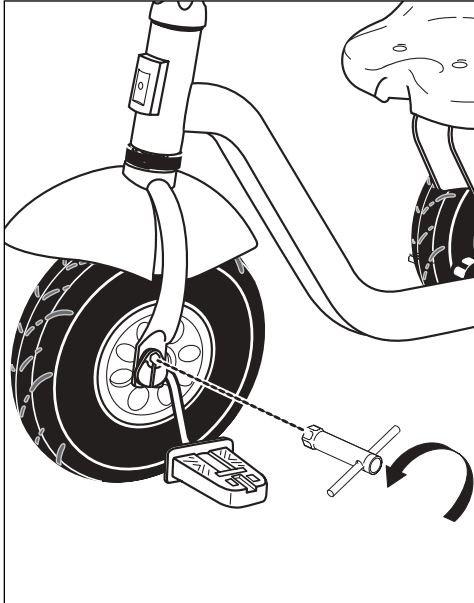
7



Handling Manutention Manejo

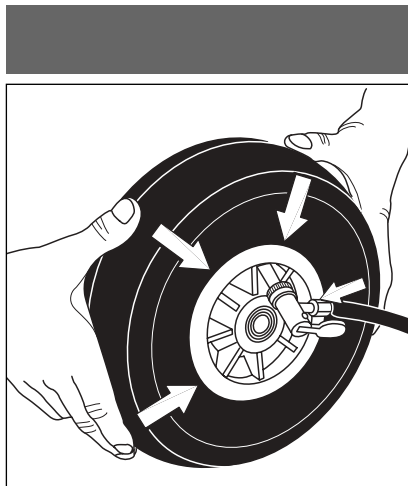
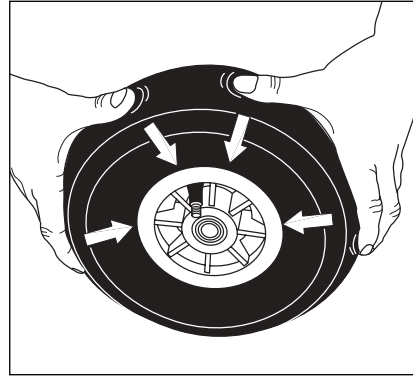
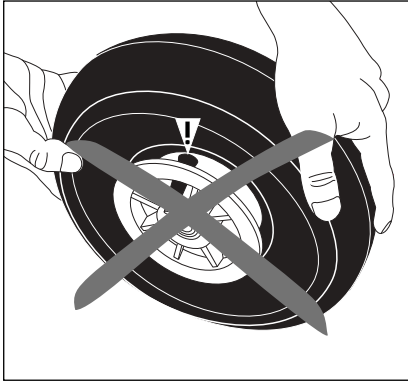
Changing the wheels
Cambiar las llantas

Changer les roues

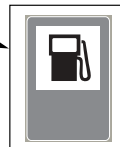


Handling Manutention Manejo

Re inflating the rubber tire Gonflage
Hinchado de los neumáticos



2,5 bar/36 PSI



USA Re inflate

- The rubber tire needs to be seated correctly on the rim.
- Squeeze tire to rim as illustrated to achieve correct seating of the tire on the rim while inflating.
- It is advisable to inflate the tire with the aid of a compressor usually found at your local garage. Tire needs to be inflated quickly.

F Gonflage

- Le pneu en caoutchouc doit être positionné correctement sur la jante.
- Appuyer le pneu sur la jante comme illustré afin d'obtenir le bon positionnement durant le gonflage.
- Il est conseillé de gonfler le pneu à l'aide d'un compresseur généralement disponible dans votre garage local. Un pneu nécessite un gonflage rapide.

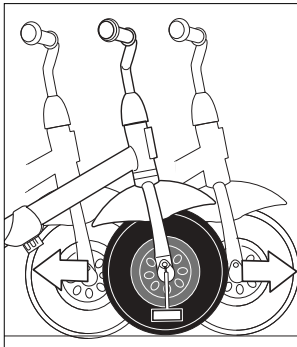
E

Hinchado de los neumáticos

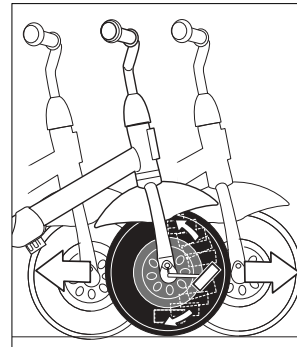
- El neumático deshinchado debe estar correctamente montado sobre la llanta.
- Durante el hinchado, adapte el neumático a los bordes de la llanta ejerciendo una presión uniforme sobre el mismo (ver ilustración).
- Hince el neumático con un compresor, como el que p. ej. puede encontrar en una gasolinera. Un neumático debe ser hinchado con rapidez y de forma uniforme.

Handling

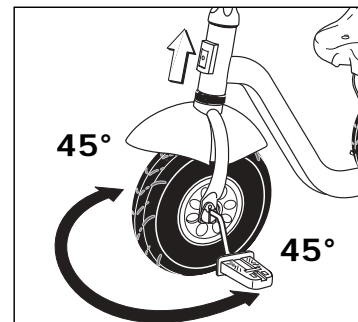
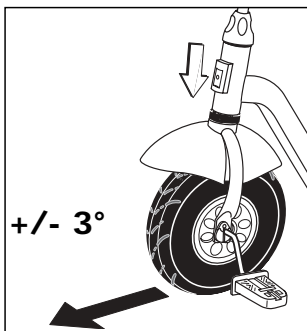
Automatic free wheel



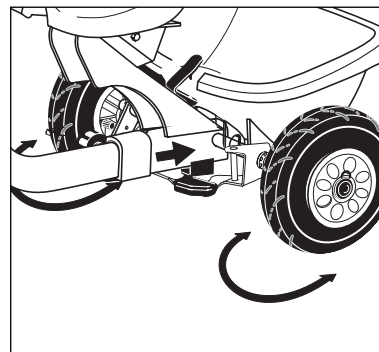
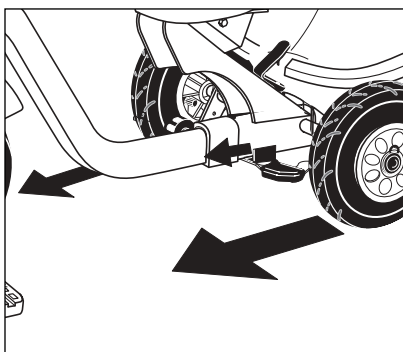
Automatic fixed wheel



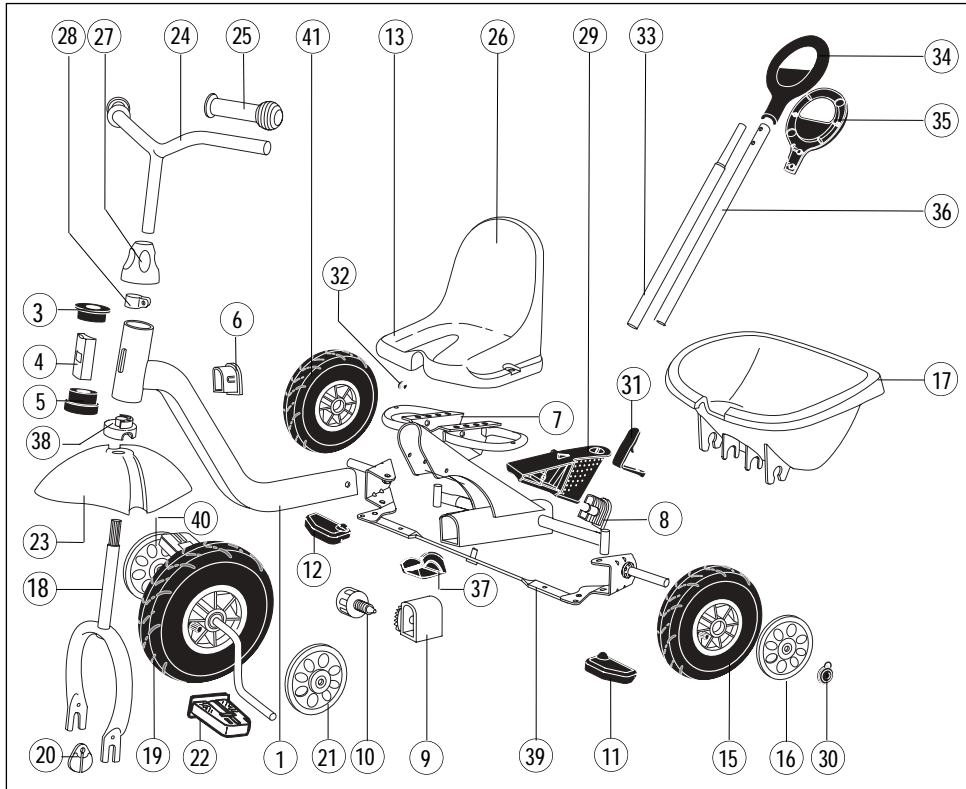
Handlebar limiter



Rear steering system locked/unlocked



Spare parts list and drawing



When ordering spare parts, always state the full article number, spare part number, the quantity required and the inspection number stamped on the back or the serial number of the product.

Example order: item # 08839-590/spare part no. 10112010 /1 piece/inspection no./S/N ...

Important: spare part prices do not include fastening material; if fastening material (bolts, nuts, washers etc.) is required, this should be clearly stated on the order by adding the words „with fastening material“.

KETTLER® International Inc., P.O. Box 2747, Virginia Beach, VA 23450-2747,USA

For parts or service ONLY call 1-866-804-0440 or send e-mail to:

parts@kettlerusa.com

call (866) 804-0440 fax (757) 563-9273.

www.kettlerusa.com

info@kettlerusa.com

Spare parts list 08839-590

pos.	description		part no.
1	front frame complete	1	91611114
2	locking pin (cpl., w/o fig.)	1	91640021
3	handlebar bushing (2046)	1	70122051
4	parental control locking mechanism (2970)	1	70121770
5	guide bushing for ø42mm (2969)	1	70121560
6	front frame plug (2995)	1	70128425
7	rear frame	1	91611112
8	plug	1	70121432
9	adjustment sleeve (3064)	1	70121435
10	quick release knob M12	1	91670058
11	tie rod covering, left	1	70121621
12	tie rod covering, right	1	70121620
15	rear wheel, left	1	42311113
16	cap for running wheel (2989)	2	70121848
17	sand bucket (3532)	1	70122088
18	wheel fork	1	91620312
19	front wheel complete	1	15170072
20	front wheel bearing	2	10116032
21	cap for front wheel with valve opening (3216)	1	70121747
22	pedal (1848)	2	70121541
23	mudguard (4031)	1	70121466
24	handlebar with grips	1	91650313
25	grips	2	10111023
26	molded seat (3617)	1	70120619
27	covering (3497)	1	70121811
28	handlebar clamp	1	97201280
29	adaptor (3493)	1	70125638
30	hubcap quick lock retainer	2	10112011
31	release latch for bucket (3533)	1	70122089
32	plug for ø 8 mm	4	10100169
33	pushbar, lower part	1	97100400
34	grip, upper part (3378)	1	70121573
35	grip, lower part (3379)	1	70121574
36	pushbar, upper part	1	97100399
37	lock for rear steering system (3838)	1	70121772
38	handlebar limiter (3536)	1	70121397
39	tie rod with steering knuckles and bolts	1	91650312
40	cap for front wheel w/o valve opening (3219)	1	70121748
41	rear wheel, right	1	43311114
42	hardware bag (w/o fig.)	1	91680379
43	bolt for steering knuckles/tie rod 8x60 mm (w/o fig)	2	10407010

In case of complaint, please state this control number or the serial number of the product.